

84W AC-DC POWER ADAPTER (GRT-A80 SERIES)



■ Features :

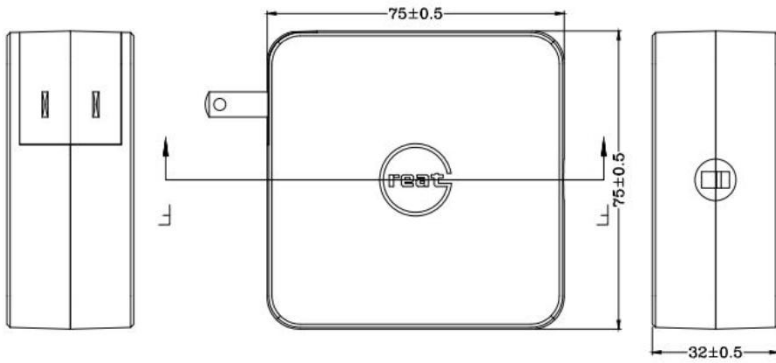
- Universal AC input / Full range(90~264VAC)
- Protections: Short circuit / Over current / Over voltage
- Built-in active PFC function
- Cooling by free air convection
- Class 2 power unit
- Fixed Output current level
- 100% full load burn-in test&High reliability
- Standby Power<0.5W,fully compliance with EU ERP& CoC version 5
- Suitable for all kinds of equipments
- 2 years warranty

■ Specification

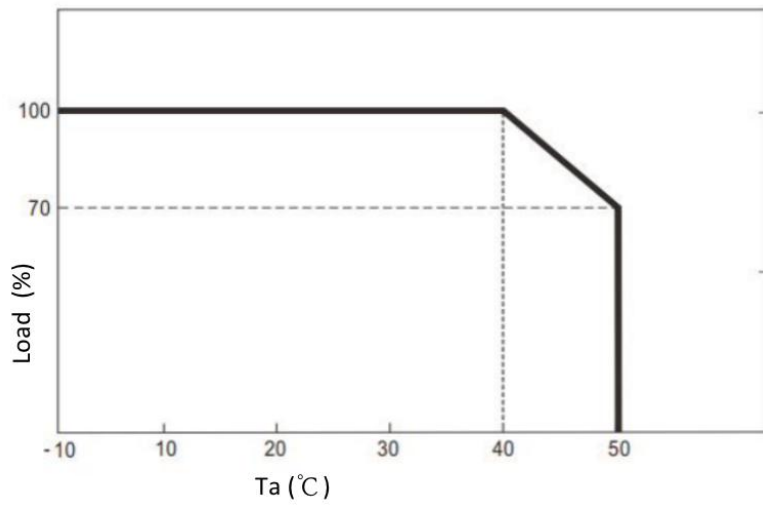
Output	Model ①	GRT-A80-120700CW		GRT-A80-240350CW		GRT-A80-480175CW		GRT-A80-560150CW	
	DC Voltage ③	12V		24V		48V		56V	
	Rated Current	7A		3.5A		1.75A		1.5A	
	Current range	0-7A		0-3.5A		0-1.75A		0-1.5A	
	Rated power	84W		84W		84W		84W	
	Ripple & Noise (max) ④	200mVp-p		200mVp-p		200mVp-p		200mVp-p	
	Volt.accuracy ⑤	±5.0%		±5.0%		±5.0%		±3.0%	
	Line Regulation ⑥	±1.0%		±1.0%		±1.0%		±1.0%	
	Load Regulation ⑦	±5.0%		±3.0%		±3.0%		±2.0%	
	Turn on/Rise/Hold on time	2000ms, 50ms, 10ms /230VAC		3000ms, 50ms, 10ms /115VAC (@ full load)					
Input	Voltage range	90-264VAC							
	Frequenc range	47 ~ 63Hz							
	Efficiency (Typ.)	90%		90%		91%		91%	
	AC current	1.5A / 115VAC		0.75A / 230VAC					
	Inrush current (max)	Cold start 40A/115VAC		75A / 230VAC					
	Surge current(max)	0.25mA / 240VAC							
Protection	Over-load	120%~180% Rated output power The power supply shall be protected when output in over-load							
	Over-voltage	110%~140% Rated output voltage							
		The power supply will be restarted recovery when power off							
Environment	Working Temp.	-10 ~ +50℃ (refers to deduction curve)							
	Working Humidity	20 ~ 90% RH,non-condensing							
	Temp/humidity Storage	-20 ~ +85℃, 10 ~ 95% RH,non-condensing							
	Temp. coefficient	±0.03% /℃ (0 ~ 40℃)							
	Vibration	10 ~ 500Hz, 2G 10m/circle, X、Y、Z axis,60m per each							

Safety EMC	Safety Standard	GB4943 , GB4706 , IEC62368-1,EN62368-1UL62368-1,KC60950,EN61558																								
	Withstand	I/P-O/P: 3000VAC																								
	Insulation	I/P-O/P:10M Ohms / 500VDC / 25° C / 70% RH																								
	EMC 8	Parameter	Standard	Test Level / Note																						
Conducted emission		GB17625.1,EN55032,	Class B																							
Radiated emission		GB/T-9254, EN55035, GB4343, FCC Part 15,	Class B																							
Other	Lifetime	3years : 100% load at 40° C, 12 hours per day																								
	MTBF	≥50000hrs min. MIL-HDBK-217F (25° C)																								
	Dimension	75*75*32 mm (L*W*H)																								
Plugs	AC Input	Fixed AC plug (2~3pins),like as EU, UK,US,AU,CN,KR,JP ect																								
	DC output	According to clients' requirements																								
1. Model series,details as below list:																										
<table border="1"> <thead> <tr> <th rowspan="2">Part Number</th> <th rowspan="2">Input</th> <th colspan="3">Output</th> </tr> <tr> <th>Voltage (V ~)</th> <th>Current (A)</th> <th>Power (W) max</th> </tr> </thead> <tbody> <tr> <td rowspan="4">GRT-A80-XXXXYYU#</td> <td rowspan="4">100-240V ~/1.5A Max/50-60Hz</td> <td>12.0-24.0</td> <td>0.10-7.00</td> <td>84</td> </tr> <tr> <td>24.1-56.0</td> <td>0.10-3.5</td> <td>84</td> </tr> <tr> <td></td> <td></td> <td></td> </tr> <tr> <td></td> <td></td> <td></td> </tr> </tbody> </table>					Part Number	Input	Output			Voltage (V ~)	Current (A)	Power (W) max	GRT-A80-XXXXYYU#	100-240V ~/1.5A Max/50-60Hz	12.0-24.0	0.10-7.00	84	24.1-56.0	0.10-3.5	84						
Part Number	Input	Output																								
		Voltage (V ~)	Current (A)	Power (W) max																						
GRT-A80-XXXXYYU#	100-240V ~/1.5A Max/50-60Hz	12.0-24.0	0.10-7.00	84																						
		24.1-56.0	0.10-3.5	84																						
<p>Notes:</p> <p>XXX:Three digits number which represents output voltage from 12.Vdc to 56.0Vdc, minimum rising step is 0.1V. (e.g:120=12.0V,240=24.0V,560=56.0V)</p> <p>YYY:Three digits number which represents output current from 0.1A to 7.0A, minimum rising step is 0.01A</p> <p>(e.g.: 001=0.1A,700=7.0A.)</p> <p>U: represents AC plug,E=EU plug,B=UK plug,U=US plug ,A=AU plug ,C=CN plug</p> <p>#:the symbol represents plastic housing color, W=white, B=Black</p>																										
<p>2. If without special requirements, all specification parameters are tested under specified conditions (with input 230VAC, rated load at 25° C 70%RH)</p> <p>3. DC voltage test: test at AC socket at 50% load</p> <p>4. Ripple & noise test :use one #12 UTP, the oscilloscope set to 20MHZ bandwidth limit,parallel with0.1uF and 10uF capacitors</p> <p>5. Accuracy: Includes setting error,rate of linear regulation / load regulation 6.Linear Regulation: Test from low voltage to high voltage at rated load</p> <p>7. Load regulation:test the rated load from 10% to 100%</p> <p>8. The item has passed EMC test</p>																										

■ Dimension(mm)



■ Derating Curve



■ Disclaimer

Subject to change without notice. Errors and omission excepted. Always make sure to use the most recent release.